

# TENSE



KNX\_EYEINTAB8

## SPECIFICATIONS

Power supply: **min. 21 V DC. max 31 V DC.** supplied by the KNX bus line

Maximum power consumption: **480 mW** (iPad charger not included)

Connection to bus: **2 x 1 mm pins for bus connecting terminal (TP1)**,  
0.5mm<sup>2</sup> section

Operating temperatures: **-5 °C to +45 °C**

Maximum humidity: **93%** relative humidity, no moisture condensation

Type of protection (EN 60529): **IP20**

Dimensions in mm (w x h x l): **14.1 x 319 x 182.65 mm**

## INSTALLATION INSTRUCTIONS:

1. Install the **double wall box** vertically with the **steel plate** inserted, **unscrewed**.
2. Provide **100 - 240V AC** for the iPad power supply and **KNX** for the switch. (Optional: direct **LAN connection** cable)
3. **Remove power** from the KNX bus and the 100V-240V AC wire.
4. **Connect** the main wire to the power supply unit (PSU) for charging the iPad. Insert the **PSU** at the back of the bus coupler and **fix with screws**.
5. Remove the front.
6. Plug the **lightning cable** in the **USB connector** of the **PSU**.
7. Connect the **bus coupler** with the KNX bus using the **KNX TP1 bus** connection terminal.
8. Connect the **black bus wire** to the black terminal(-) and the **red bus wire** to the red terminal (+).
9. **Fix** the BCU holder of the Eyeswitch to the **wall**. Start with the top left screw. **Level** the **Eyeswitch** and screw the remaining 3 screws in place. The harder you screw the lower screw, the stiffer it will be to slide the Eyeswitch Bracket in place.
10. **Re-power** the KNX bus.
11. Press the programming button. Make sure the **red programming LED** lights up.
12. In ETS, add the device and **assign the physical address**.
13. **Program** the physical address. Make sure the red programming LED turns off.
14. **Plug the front** onto the bus coupler. Make sure that the "TOP ↑" marking on the PCB (backside of the front) points upwards.
15. In ETS, select the appropriate parameters and **assign the group addresses**.
16. **Download** the application program to the device.
17. Click the **front** of the Eyeswitch Intensity 8F **on the BCU holder**.
18. Slide the **lightning connector** to the right **height** for you iPad and slide the **Eyeswitch Bracket** horizontally **in place**.
19. Mount the iPad by sliding it along the bracket and clicking it in the lightning connector.

## EYESWITCH

lightning connection



The **Eyeswitch** of Tense is a handy **iPad mount** with an integrated capacitive touch based switch. With its integrated charger and optional LAN connection it is a complete docking station for the iPad.

The Eyeswitch has an **Apple lightning connector** which can be adjusted in height according to your model of iPad. The following models fit our Eyeswitch: iPad mini (5th gen), iPad Pro 11in (1st gen), iPad Pro 12.9in (3th gen), iPad Pro 12.9in (2nd gen), iPad Pro 12.9in (1st gen), iPad Pro 10.5" in (1st gen), iPad Pro 9.7 in, iPad Air 10,5" (3rd gen), iPad Air 2.

If necessary, it is very easy to **demount** the iPad and supporting bracket while maintaining a sleek designer look. Thanks to the **Intensity switch** you can **directly operate** your home automation, even when the iPad is not present.

The integrated switch has **8 touch zones** with individual **RGB LED feedback**. The integrated colour LEDs provide **tactile and functional feedback**. Their individual colour or behaviour can be set through the **ETS** parameter or over the bus.

The function and behaviour of the integrated switch is **programmable** by setting the appropriate parameters in **ETS**. It supports **switching, dimming**. Additionally it also has a **scene module, timer and up/down counter functionality, programmable logic ports...**

With the Eyeswitch's **internal temperature sensor** with correction (or using an external one), the integrated thermostat (PI and 2point - switching/continuous) can be used to **control the room temperature**. Also the **HVAC** system can be controlled through these functions.

The Eyeswitch can be installed on a **double deep round European wallbox which is standard included with the Eyeswitch**.

The **functions** of the **INTENSITY** series are:

- **Switch** or Send **1 or 2 Byte values** on
  - Short Touch
  - Short and Long Touch
  - Positive / Negative Edges
  - Multi-touch (touching at least 2 buttons)
- **Dimming**
  - Up
  - Down
  - Up / Down
- **Recalling Scenes**
  - 1-64 scenes can be called
- **Shutter / Blind Control** (using 1 or 2 buttons), with predefined operation concepts: Up/Down, Up, Down:
  - Short Touch: start / Long Touch: stop
  - Short Touch: start / Short Touch: stop
  - Single Touch

## ACCESSORIES:

The Eyeswitch can be completed by using additional accessories.

### LAN CONNECTION KIT

EYE\_LAN\_KIT

With the LAN connection kit you always have internet, even when your WIFI is down. The Apple Thunderbolt-Gigabit Ethernet-adapter & Lightning-USB-3-camera-adapter ensure you to manage your home automation system through your iPad.



EYE\_LAN\_KIT

### ORANGE DOUBLE DEEP WALL BOX

The Eyeswitch is the only exception in the Tense range for not fitting in a single wallbox. The Eyeswitch needs to be wall-mounted with a double deep round orange wallbox (KAISER 9062-94). The Eyeswitch comes with the wallbox, metal plate and screws included in your order.



### POWER SUPPLY: 100V – 240V AC

PSU\_EYE100VAC240VAC

When you would want to use your Eyeswitch as a charging station for your iPad this power supply unit is a necessary item. Simply connect to the 100-220V AC wire and insert the lightning cable.



PSU\_EYE100VAC240VAC

## CUSTOMIZATIONS:

Would you like to **personalize** your **products** permanently with inscriptions, logos and/or symbols? All Tense finishes are suitable for these customizations. **Engraving, printing, lasering...** are some of the available options.

See our **Customizations data sheet** for further explanation.

## FINISHES

### Aluminium:

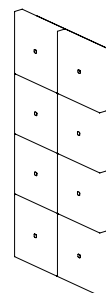
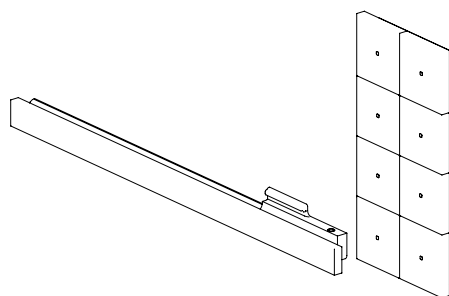
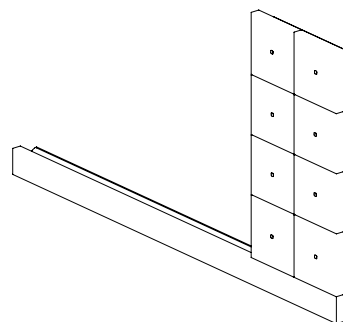
Alu (brushed)	KNX_EYEINTA
Forged Alu	KNX_EYEINTFA
Alu Black (brushed)	KNX_EYEINTAB
Forged Alu Black	KNX_EYEINTFAB
Alu Dark Grey (brushed)	KNX_EYEINTADG
Forged Alu Dark Grey	KNX_EYEINTFADG
Alu White (RAL 9016)	KNX_EYEINTAW
Alu RAL (on request)	KNX_EYEINTARAL

### Bronze:

Bronze	KNX_EYEINTB
Forged Bronze	KNX_EYEINTFB
Bronze Light	KNX_EYEINTBL
Forged Bronze Light	KNX_EYEINTFBL

### Metal:

Stainless Steel (brushed)	KNX_EYEINTSS
Forged Stainless Steel	KNX_EYEINTFSS
Forged Steel	KNX_EYEINTFS
Brushed Gold	KNX_EYEINTBG
Forged Gold	KNX_EYEINTFG
Brushed Copper Rose	KNX_EYEINTBCR
Forged Copper Rose	KNX_EYEINTFCR



Mounting of Eyeswitch

## COMPATABILITY

TYPE	HEIGHT	WIDTH	DEPTH	LIGHTNING	USB-C
iPad 1	190	243	13	x	o
iPad 2	186	241	8,8	x	o
iPad 3	186	241	9,4	x	o
iPad 4	186	241	9,4	x	o
iPad 5	169,5	240	7,5	v	o
iPad 6	169,5	240	7,5	v	o
iPad 7	174,1	250,6	7,5	x	o
iPad 8	174,1	250,6	7,5	x	o
iPad 9	174,1	250,6	7,5	x	o
iPad Mini				x	x
iPad Air 1	169,5	240	7,5	v	o
iPad Air 2	169,5	240	6,1	v	o
iPad Air 3	174,1	250,6	6,1	x	o
iPad Air 4	178,5	247,6	6,1	o	v
iPad Pro 9.7	169,5	240	6,1	v	o
iPad Pro 10.5	174,1	250,6	6,1	x	o
iPad Pro 11" - 1	178,5	247,6	5,9	o	v
iPad Pro 11" - 2	178,5	247,6	5,9	o	v
iPad Pro 11" - 3	178,5	247,6	5,9	o	v
iPad Pro 12.9" - 1	220,6	305,7	6,9	x	o
iPad Pro 12.9" - 2	220,6	305,7	6,9	x	o
iPad Pro 12.9" - 3	214,9	280,6	5,9	o	x
iPad Pro 12.9" - 4	214,9	280,6	5,9	o	x
iPad Pro 12.9" - 5	214,9	280,6	6,4	o	x

V = Perfect fit  
 O = Not Compatible  
 X = Too Big/Too Small