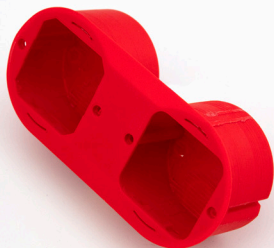


TENSE



BCU_EBSS02

SPECIFICATIONS

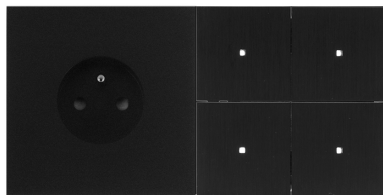
Material: PLA (polylactide)

Production method: 3D printing

Type of protection (EN 60529): IP20

Dimensions in mm (w x h): 2F 75 x 153 x 51 mm

3F 80 x 235 x 51 mm



INSTALLATION INSTRUCTIONS:

- 1. Plasterboard :** Cut out a hole in the plasterboard wall of 68 mm x 153 mm for a 2F wallbox and 68 mm x 230 mm for a 3F wallbox.
Concrete / Brick : Make a hole in the concrete or brick wall of 68 mm x 153 mm with a depth of 51mm for a 2F wallbox and 68 mm x 224 mm with a depth of 51mm for a 3F wallbox .
To have the products nicely on the wall, make sure to foresee that the rim of the Combo Wall Box is flush.
- 2.** Position the wallbox correctly according to where the switch and where your socket should come.
- 3.** Pull the **wires through the back** of the wallbox.
- 4.** Use two flat headed screws to **fix your products to the wallbox**.

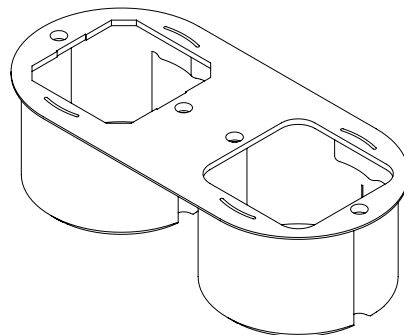
COMBO WALLBOX

The **Combo Wallboxes** of Tense are special wallboxes, made to install standard Metal/Corian/Wood products neatly alongside one another with a gap of 0.5mm in between.

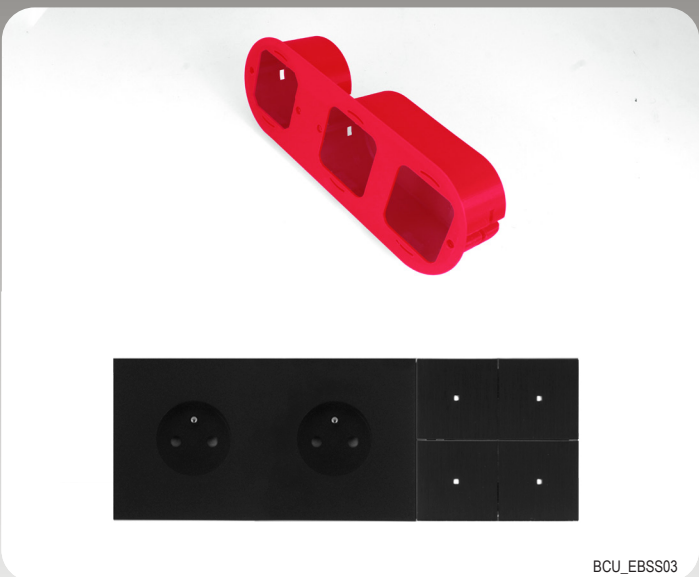
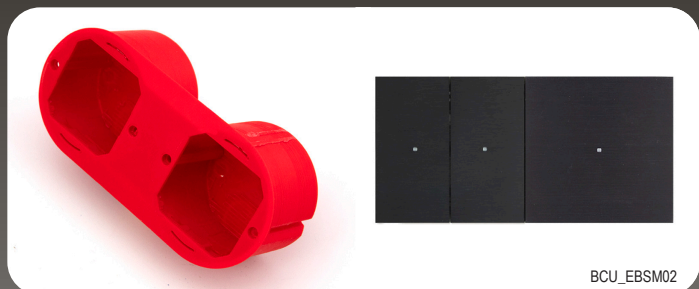
Each type of wallbox has a designated side to install the relevant products on. The BCU containing products (Motivity, Intensity, Infinity) should be installed in the openings with chamfered corners, while the socket products (6MM Sockets, 12MM Sockets) should be installed in the openings with rounded corners. Orient the wallbox correctly according to the preferred installation.

Please note that the best results are obtained by combining products with the same thickness. The 6MM products, Motivity Wall & Intensity (both in metal, corian and wood) and the 6MM Sockets (in metal), are thus best suited for the Combo Wallbox solutions. All other metal products eg. Infinity and 12mm Socket can be installed on these wallboxes, however a difference in thickness of products will result in an uneven endresult.

Pay special attention during installing to mount this wallbox flush with the wall.



BCU_EBSS02



TYPES OF COMBO WALLBOXES:

Combo Wallbox Switch/1F Socket BCU_EBSS02

The **Combo Wallbox Switch/Socket** enables one to mount a 1F socket and a 1F, 2F or 4F switch 0.5mm apart.

The wallbox has **one opening with chamfered corners** and **one opening with rounded corners**. As per guidelines previously mentioned, attention to positioning is required during installation.

Combo Wallbox Switch/Switch BCU_EBMS02

The **Combo Wallbox Switch/Switch** enables one to mount two different switches next to one another with a gap of 0.5mm apart. .

The wallbox has **two openings with chamfered corners**. No special attention is necessary during installation of this wallbox as to positioning of the products.

Combo Wallbox Switch/Motivity Wall BCU_EBMS02

The **Combo Wallbox Switch/Motivity Wall** enables one to mount a Motivity Wall and a 1F, 2F or 4F switch 0.5mm apart.

The wallbox has **two openings with chamfered corners**. No special attention is necessary during installation of this wallbox as to positioning of the products.

Combo Wallbox Switch/2F Socket BCU_EBSS03

The **Combo Wallbox Switch/2F Socket** enables one to mount a 2F socket and a 1F, 2F or 4F switch 0.5mm apart.

The wallbox has **one opening with chamfered corners** and **one double opening with rounded corners**. As per guidelines previously mentioned, attention to positioning is required during installation.